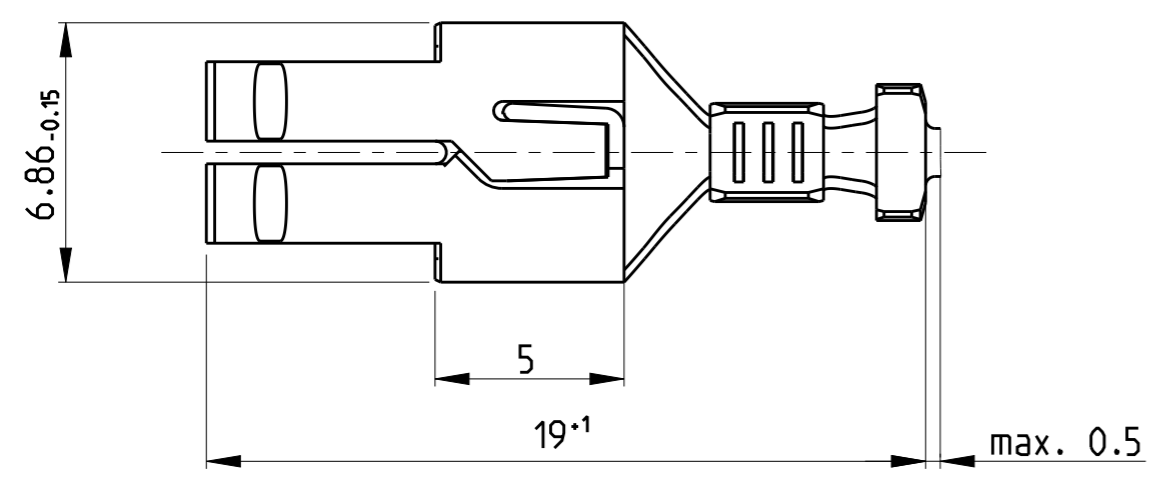
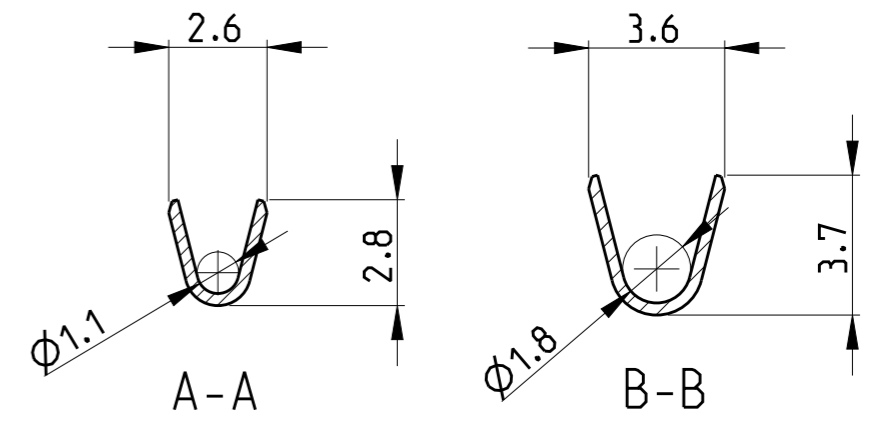
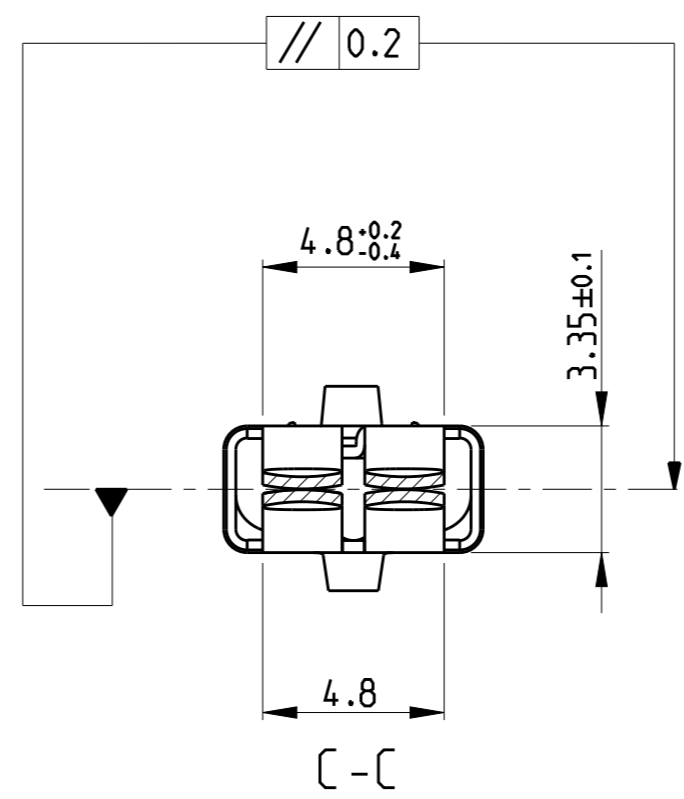
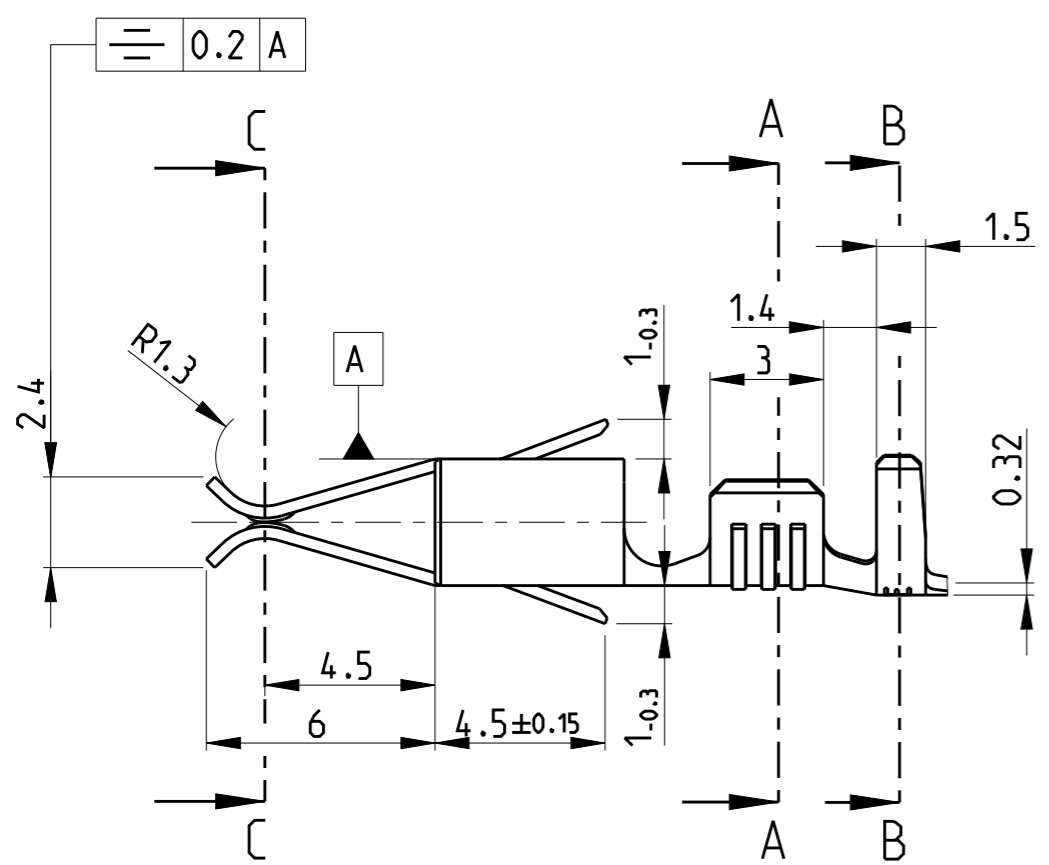


THIS DRAWING IS UNPUBLISHED. RELEASED FOR PUBLICATION 2011  
 © COPYRIGHT 2011 ALL RIGHTS RESERVED.

| LOC | DIST | REVISIONS |     |               |           |     |      |
|-----|------|-----------|-----|---------------|-----------|-----|------|
| AL  | 2    | P         | LTR | DESCRIPTION   | DATE      | DWN | APVD |
|     |      |           | C1  | ECR-14-007191 | 29OCT2014 | SK  | JP   |
|     |      |           | C2  | ECR-14-017645 | 28NOV2014 | SK  | JP   |
|     |      |           | C3  | ECR-15-016432 | 18NOV2015 | KD  | RR   |
|     |      |           | C4  | ECR-15-018664 | 28DEC2015 | KD  | RR   |



WIRE CRIMP SELECTION TABLE

WIRE: "F" CRIMP  
 INSULATION: OVERLAPPING CRIMP

| WIRE CROSS SECTION (mm <sup>2</sup> ) |                                       |      |      |      |  |
|---------------------------------------|---------------------------------------|------|------|------|--|
| SINGLE WIRE                           | WIRE CROSS SECTION (mm <sup>2</sup> ) |      |      |      |  |
|                                       | 0.35                                  | 0.50 | 0.75 | 1.00 |  |
| 0.35                                  | X                                     | X    |      |      |  |
| 0.50                                  | X                                     | X    | X    |      |  |
| 0.75                                  | X                                     |      |      |      |  |
| 1.00                                  | X                                     |      |      |      |  |

| LOOSE PIECE | FINISH  | MATERIAL | PART NO. | REV. |
|-------------|---------|----------|----------|------|
| -           | PRE-TIN | CuNiSi   | 964201-4 | C    |
| -           | PRE-TIN | CuFe     | 964201-3 | C    |
| -           | PRE-TIN | CuSn     | 964201-2 | C    |
| -           | PRE-TIN | CuZn30   | 964201-1 | C    |

SINGLE WIRE RANGE: 0.5 - 1.0 mm<sup>2</sup>  
 INSULATION RANGE: Ø1.4 - 2.3 mm

THIS DRAWING IS A CONTROLLED DOCUMENT.

|                |  |                          |   |
|----------------|--|--------------------------|---|
| DIMENSIONS: mm | TOLERANCES UNLESS OTHERWISE SPECIFIED: | DWN J. Salo 20-AUG-10    | <br>TE Connectivity                                 |
|                | 0 PLC ±0.2                             | CHK R. Sole 25AUG2010    |   |
|                | 1 PLC ±0.2                             | APVD L. Batllo 25AUG2010 |   |
|                | 2 PLC ±0.2                             | PRODUCT SPEC             |   |
| MATERIAL -     | FINISH -                               | 3 PLC ±0.2               | NAME STANDARD TIMER CONTACT WITH TWO LOCKING LANCES |
|                |  | 4 PLC ±0.2               | SIZE A3   |
|                |  | ANGLES ±1°               | CAGE CODE -   |
|                |  |                          | DRAWING NO C-964201                                 |
|                |  |                          | RESTRICTED TO -                                     |
|                |  |                          | WEIGHT -  |
|                |  |                          | CUSTOMER DRAWING                                    |
|                |  |                          | SCALE 5:1   |
|                |  |                          | SHEET 1 OF 1  |
|                |  |                          | REV C4  |